

ODL

SOLAR  
flair™  
tubular skylights

10" Tubular Skylight

# Installation Instructions

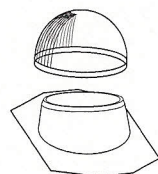
Please read these instructions thoroughly before installing your Solar Flair™ Tubular Skylight.

Pay particular attention to the assembly diagrams, assembly order, and part names.

## standard kit parts list:

Qty Part Description

(1) Solar Lens™ Dome

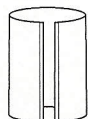


(1) Roof flashing

(2) Adjustable tubes



(1) Extension tube (20")



(4) Ceiling anchors



(1) Ceiling trim ring/  
screw caps



(1) Flat ceiling diffuser



(1) Tube of roof sealant



## hardware pack items:

Qty Part Description

(4) Dome washer



(4) Dome screws – 3/4"



(1) Dome gasket – black



(6) Flashing screws – 2"



(4) Flashing washers



(1) Tube ring seal – white



(4) Drywall screws (black)



(1) Roll of foil tape



(1) Hole cutting template



(not all items shown are to scale)

### FOR INSTALLATION ON AN ASPHALT ROOF

For cathedral ceiling (12" or less) & long shaft installations (6' or more) see Page 7.

## tools required:

Safety Glasses  
Work Gloves  
Pencil  
Tape Measure  
Plumb Line  
Utility Knife  
Phillips Screwdriver

Tin Snips  
Caulking Gun  
Claw Hammer  
Flat Pry Bar  
Power Drill  
Reciprocating/Sabre Saw  
Keyhole/Drywall Saw

## optional components:

### SOLD SEPARATELY

Extension tube (20") as shown above  
Extension tube (48")  
Prismatic ceiling diffuser  
White ceiling diffuser  
Electric light kit

### ODL ITEM#

EZ10T20  
EZ10T48  
EZ10CD  
EZ10WD  
EZELK

# Solar Flair 10" Tubular Skylight

## What you need to know

### REVIEW THIS INFORMATION PRIOR TO BEGINNING INSTALLATION

These instructions have been designed to help install your Solar Flair™ Tubular Skylight easily and safely. We've included a parts list, list of tools required, installation instructions for a variety of ceiling types, handy tips, and safety precautions. Please read these instructions thoroughly before installing your Solar Flair™ Tubular Skylight. Pay particular attention to the assembly diagrams, assembly order, and part names. Identify and organize all parts before assembly. Make a list of the tools and components you will need for each installation location. Following these instructions carefully will greatly enhance your ability to install your tubular skylight and enjoy flawless performance for many years.

### caution:

- The tubular skylight is not designed to hold your weight or the weight of tools or other objects. Walking/placing objects on the skylight could cause personal injury and property damage. A damaged skylight should be repaired immediately.
- For safe installation and use, do not deviate from these installation instructions.

### warning:

Working on a roof is potentially dangerous but you can significantly reduce the risk by following these precautions:

- Never work in wet, windy or cold conditions. Roofing materials can be slippery when wet; asphalt shingles are brittle when cold and may crumble underfoot. Plan your installation for a pleasant, calm, dry day.
- Wear shoes with slip-resistant soles.

**POTENTIAL FIRE HAZARD.** After removing film lining from interior of tube shaft, **DO NOT leave tube shaft components unattended and exposed to direct sunlight.**

Exposed surfaces may catch fire or incur heat damage until tube shaft is properly installed. Assembly and installation of tube shaft and attachment of the inner diffuser eliminates potential hazards from the reflective inner surface.



### safety information:

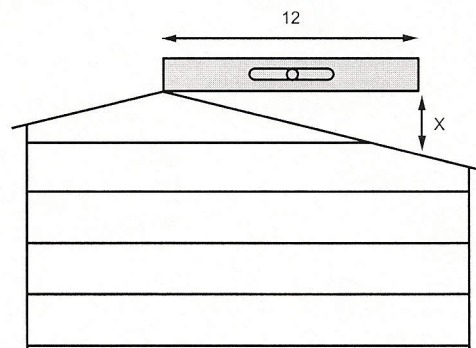
- Wear safety glasses and work gloves when using power tools.
- Use protective work gloves while handling tube sections to protect hands from sharp edges.

### tips:

- Consult your local building official about local construction ordinances before starting your installation.
- Consult your community covenants. Some subdivisions may not allow tubes on the street side of the home.
- Before installation, carefully survey the attic area of desired location, roof valleys, ceilings, and any ceiling-mounted registers or fans.
- Make careful note of the location of wiring, plumbing and mechanical attic equipment.
- For best results in colder climates, the tube shaft should be insulated in the attic space.
- For best results always attempt to install the tube as straight as possible.
- The molded **(N)** on the Solar Lens™ Dome should face north for optimum performance.

### determining roof pitch:

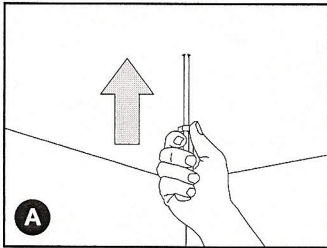
- "Roof Pitch" is how far the roof drops vertically for every 12" of horizontal run.
- Asphalt roof applications require a minimum pitch of 3:12 and a maximum of 12:12.





# Solar Flair 10" Tubular Skylight Installation Instructions

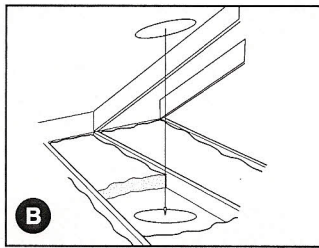
## 1 INSIDE THE ROOM



- Determine the desired position of the tube skylight on the ceiling.
- Using a stud finder or hammer, find a location between the ceiling joists.
- Push a screwdriver through the desired position. **(Diagram A)**

**tip:** Cut and insert a section of a coat hanger wire through the hole. This will more easily identify the hole location in the attic.

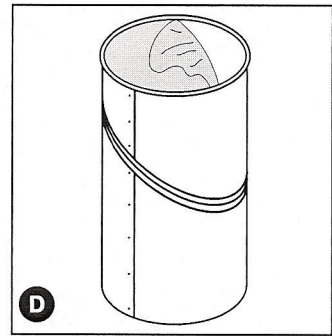
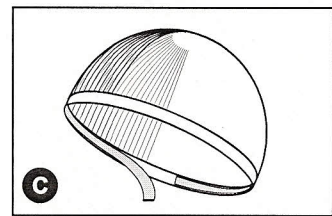
## 2 IN THE ATTIC



- Locate the wire and adjust location to clear any framing members by at least 6" (152 mm). Place wire thru new center point so that it will be visible from above after hole is cut in the roof, and as center point on face of ceiling below.
- Using a plumb line, find a straight location from the ceiling hole to the roof location. Again, clear any framing members by at least 6" (152 mm). **(Diagram B)** Work to avoid valleys, wires, pipes, ducts, etc.
- Drive a nail up through the roof deck and shingles at the roof location.

**tip:** To bring in the most light available, always try to position dome/flashing so it views direct sun throughout the day without obstruction, from trees, buildings, etc.

## 3 PREPARE THE COMPONENTS



Peel backing paper from dome gasket and apply to inside bottom edge of the solar lens dome **(Diagram C)**.

(Do not stretch gasket. Insure it seals to the dome securely, and make sure there is no gap or overlap where ends meet).

Remove protective film from inside of all the tubes. **(Diagram D)**

**[CAUTION: After removing protective film, keep tube sections out of direct sunlight as they focus sunlight and generate intense heat.]**

### components:

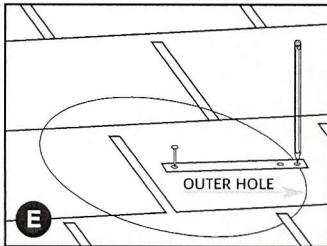
Rooftop Components	QTY.	Rooftop Tools
Solar Lens™ Dome	(1)	Safety Glasses
Dome Washer	(4)	Pencil / Marker
Dome Screws	(4)	Caulking Gun
Roof Flashing	(1)	Utility Knife
Flashing Screws	(6)	Flat Pry Bar
Flashing Washers	(4)	Reciprocating/Sabre Saw
Adjustable Tube	(1)	Drill (w/ Bits)
Hole Cutting Template	(1)	Phillips Screwdriver
Tube of Roof Sealant	(1)	Hammer

**GATHER COMPONENTS AND TOOLS NEEDED ON THE ROOFTOP**



# Solar Flair 10" Tubular Skylight Installation Instructions

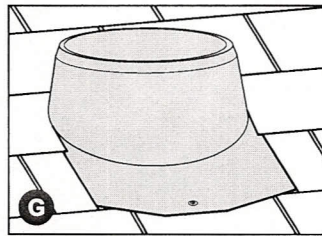
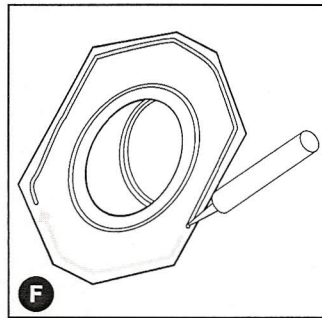
## 4 ON THE ROOF



- Locate the protruding nail and using the hole-cutting template, trace the diameter of the outer hole. 12" Dia. **(Diagram E)**
- Using a reciprocating/sabre saw, cut the hole.

**tip:** You may have to drill a hole inside the traced diameter of the hole to insert saw blade.

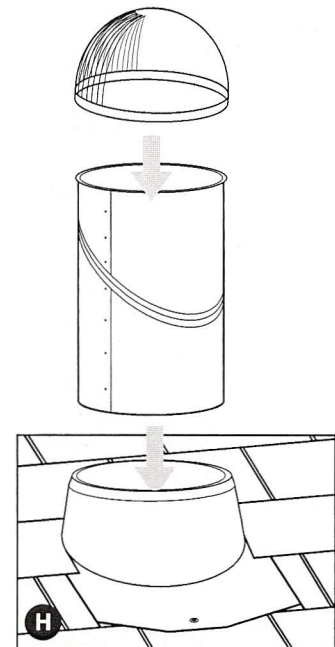
## 5 ON THE ROOF



- Use a flat bar to break seals on shingles and claw hammer to pull nails above hole.
- Apply a bead of roof sealant around the perimeter of the flashing. **(Diagram F)** Slide the top and sides of the roof flashing under the shingles **(Diagram G)**. Secure the flashing to the roof with the 2" flashing screws and washers provided. (4 are centered in pre-punched star holes; last 2 screws installed into remaining round holes.

**tip:** Use roof sealant to seal screw heads on flashing and shingles to flashing.

## 6 ON THE ROOF



- Slide adjustable tube down through the flashing and adjust so it points to the wire in the ceiling. **(Diagram H)** Using the 3/4" dome screws and dome washers (dome washers have rubber backing), mount the dome on the flashing aligning the "N" (North indicator molded into outer edge of the dome) towards the North.

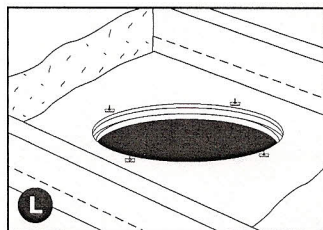
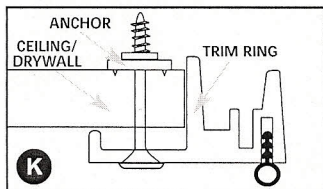
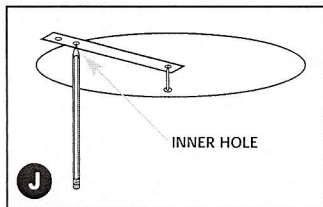
**tip:** Dome screws should be snug but do not overtighten.

### important:

Solar Lens™  
Dome should see the sun throughout the day for optimum performance.

# Solar Flair 10" Tubular Skylight Installation Instructions

## 7 INSIDE THE ROOM



- Using hole cutting guide and pencil, locate protruding wire and trace the diameter of the ceiling inner hole. 10-1/2" Dia. **(Diagram J)**

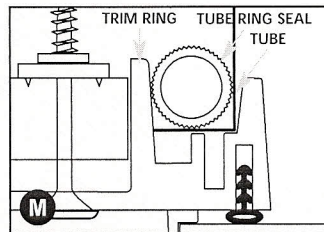
**tip:**

Drill a pilot hole inside the traced diameter of the hole to insert saw blade.

- Use a keyhole/drywall saw to cut the hole.
- Secure the ceiling trim ring with the 4 black drywall screws provided. Screws are driven thru drywall into 4 white ceiling anchors.
- Remove screw caps from ceiling trim ring and insert into drywall screw head to hide screws.

**(Diagrams K & L)**

## 8 IN THE ATTIC



### GATHER COMPONENTS AND TOOLS NEEDED IN THE ATTIC

components:

#### Attic Components QTY

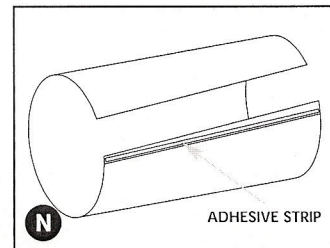
Adjustable tube	(1)
Tube	(1)
Roll of foil tape	(1)
Tube ring seal	(1)

#### TOOLS

Tape Measure  
Tin Snips  
Utility Knife

- Place tube ring seal around adjustable tube and roll into position at flanged end. Gently push tube into trim ring (tube ring seal should sit tightly between trim ring and tube). **(Diagram M)**

## 9 IN THE ATTIC



### CONNECTING TUBE ASSEMBLY

Be sure to measure and cut if necessary, before removing adhesive strip and assembling connecting tube. **(Diagram N)**

- After referring to "cut your tube chart" on the next page, use metal shears to shorten the extension tube, allowing for a 1" overlap at each end.

**important:**

Please see

**Cut Your Tube**

chart on following page.



# Solar Flair 10" Tubular Skylight Installation Instructions

## Cut Your Tube chart:

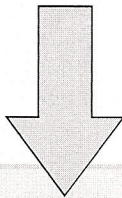
tip:

When trimming extension tubes,

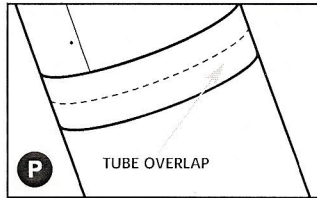
**ALWAYS MEASURE AND START FROM THE WIDE END WHERE TUBE DIAMETER = 10".**

When extension tube is sized correctly, remove backing paper from adhesive strip on edge of extension tube. Beginning at one end of the extension tube, overlap the edges of the tube, aligning the edge of the tube along the crimp in the other edge.

(Once contact is made with adhesive strip, parts cannot be repositioned.)

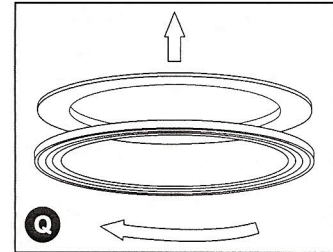


## 10 IN THE ATTIC



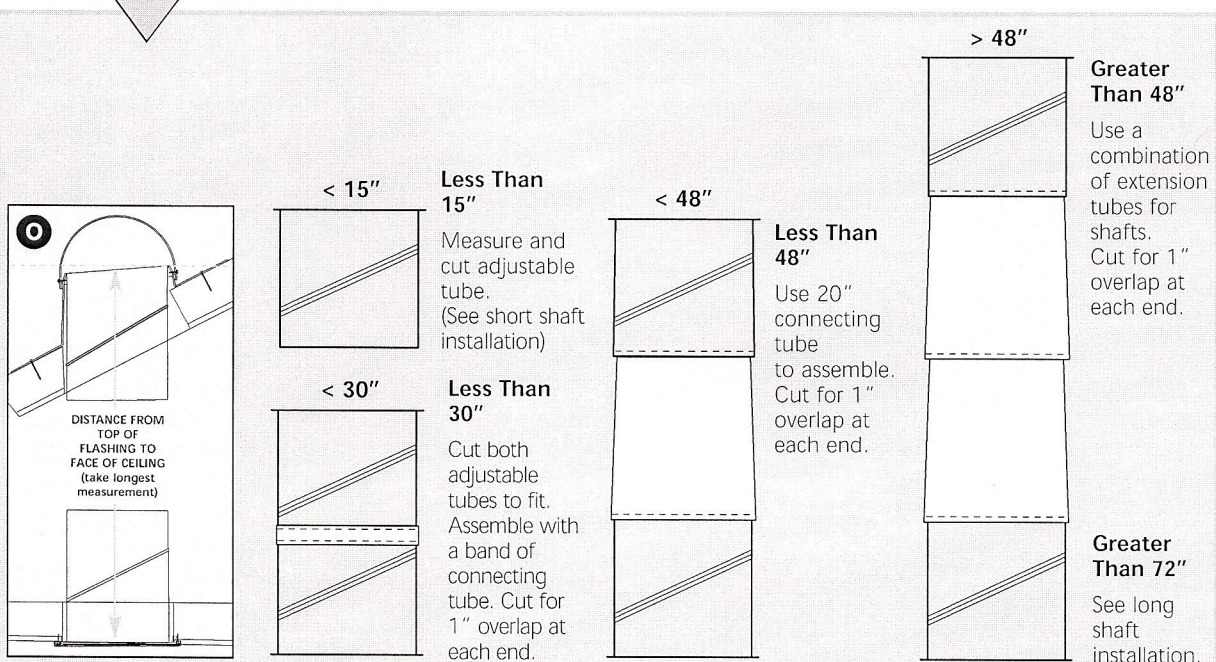
- Measure distance from the top of flashing to ceiling. **(Diagram O)** to determine proper trimming of tubes. Refer to "Cut Your Tube Chart" for cutting recommendations.
- Slide wide end of extension tube over the outside of lower adjustable tube. Slide the narrow end of the extension tube up into upper adjustable tube.
- Tape ALL seams securely with foil tape to keep dust, moisture, and insects out of the tube. **(Diagram P)**

## 11 INSIDE THE ROOM



- Install the flat ceiling diffuser. Align the diffuser with the three tabs on the trim ring and turn clockwise until snug in place. **(Diagram Q)**

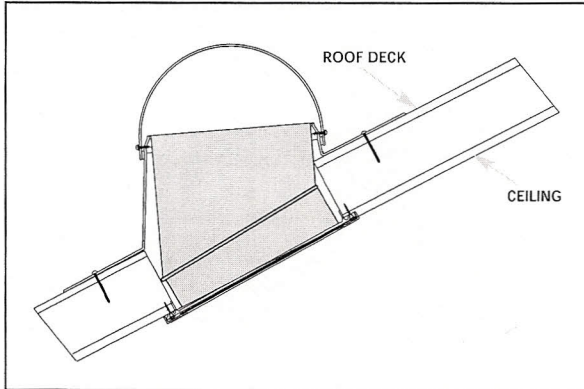
installation  
complete





# Solar Flair 10" Tubular Skylight Installation Instructions

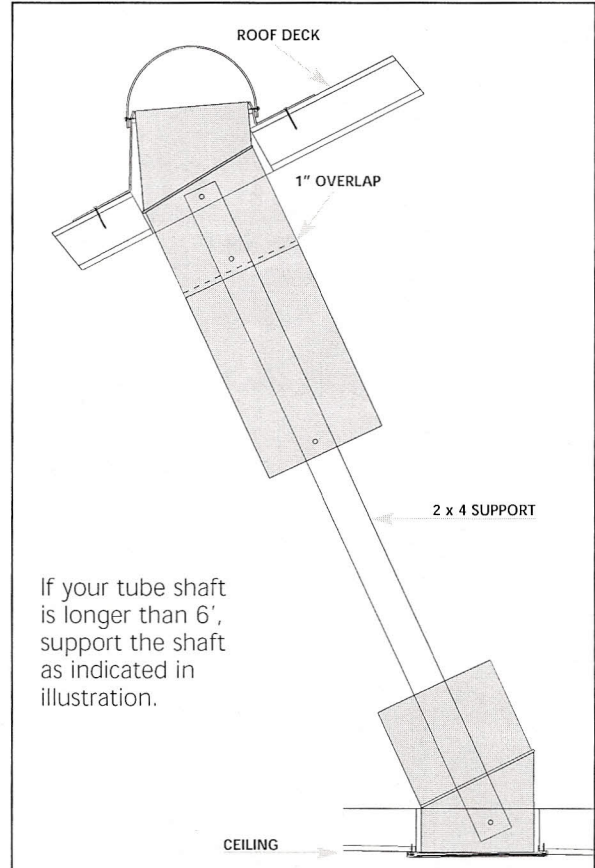
## CATHEDRAL CEILING INSTALLATION



For cathedral ceiling installation, use steps listed below, referring to those listed on previous pages for specific details. **Disregard step 2.**

- Cut holes in roof and ceiling.
- Install flashing to roof deck.
- Install adjustable tube into flashing. Adjust this tube until it protrudes through the ceiling equally on all sides.
- Mark tube flush at ceiling. Remove and cut tube on the line.
- Install trim ring.
- Install white tube ring seal to adjustable tube and slide into flashing.
- Press adjustable tube into trim ring.
- Install dome.
- Install diffuser

## LONG SHAFT INSTALLATION



If your tube shaft is longer than 6', support the shaft as indicated in illustration.

For long shaft installation, use steps listed below, referring to those listed on previous pages for specific details.

- Locate and install top adjustable tube, trim ring, and lower adjustable tube.
- Frame 2 x 4 between joists. Span from roof to ceiling with a length of 2 x 4 flat to outside of each adjustable tube as a spine.
- Put a #6 x 1" pan-head, sheet metal screw (not included) in each connecting extension.
- Slide next piece in and screw. Continue until all but one extension is connected. Cut and install last section.
- Tape ALL joints. Return to Step 1.