

TRIMMASTER MARK IV®

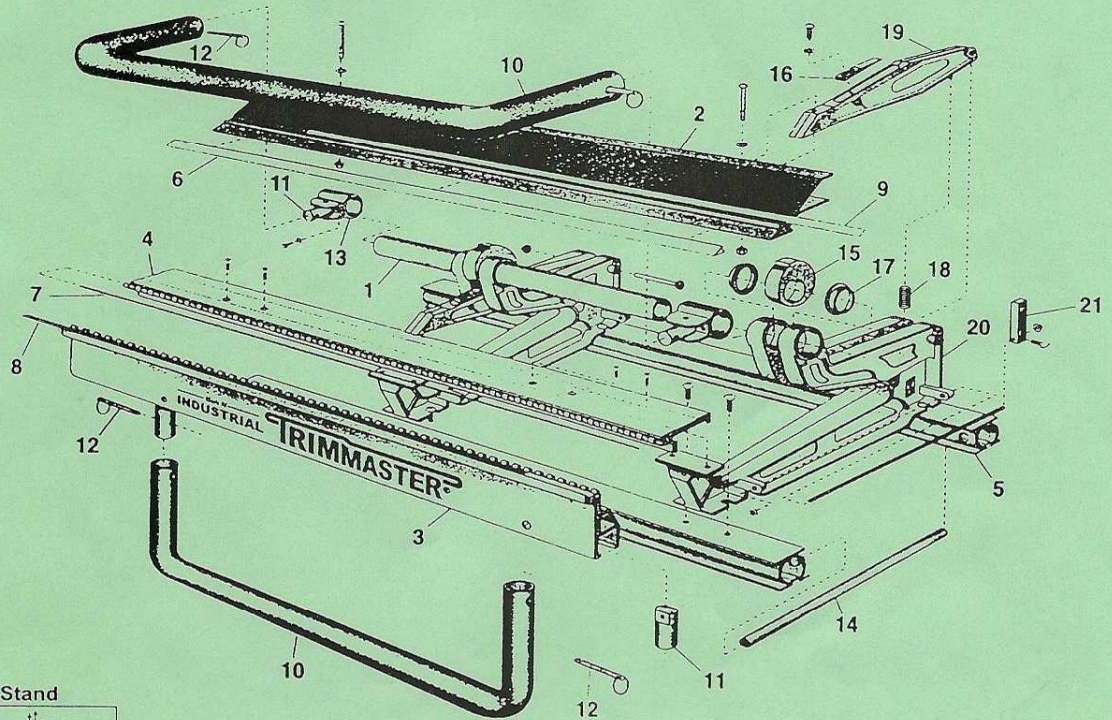
Ref#	Description	Model	Model	Model
		IT863	IT1063	IT1263
		P/N	P/N	P/N
1	Cam Tube	4403	4404	4405
2	F-Bar w/ SS / Tape Rule	3689	3690	3691
3	Front Hinge w/ Blue Vinyl Strip	3695	3696	3697
4	Rear Hinge	4114	4115	4116
5	Base Rail	4124	4125	4126
6	Strip, Stainless Steel Edge	4543	4544	4545
7	Hinge Pin	4062	4063	4064

Parts for ALL Models		
Ref#	Description	P/N
8	Strips, Blue Vinyl Wear (2 ea)	3909
9	Rule, Tape	4765
10	Handle	4831
11	Handle Post	3906
12	Handle Faspins	3655
13	Lock Handle Bracket	4107
14	Carrying Handle	3943
15	Locking Cam	4801
16	Wedge Pads, UHMW	3905
17	Cam Tube Bearing	3901
18	Pivot Arm Spring	3902
19	Pivot Arm Casting	3904
20	Base Casting	3903
21	Material Stop Assembly	3965

TUNE-UP KIT		3910
Ref#	Description	
8	Strips, Blue Vinyl Wear (2 ea)	
16	Wedge Pads, UHMW	
17	Cam Tube Bearing	
18	Pivot Arm Spring	
	Screws & Fasteners Package, Misc.	

WHEEL KIT

Attaches to one end of Brake Base Rails
P/N 3004



Parts List, Xtreme™ Shop Stand

Ref#	Description	P/N
29	Leg Plate	4844
30	Leg Bracket	4845
31	Leg Brace	4846
32	Leg Foot / Bracket	4847
33	Front Leg	4848
34	Rear Leg	4849
35	Platform Bracket	4851
36	Platform	4852
37	Faspin 5/16 x 2	2715

Exploded View, Xtreme™ Shop Stand

